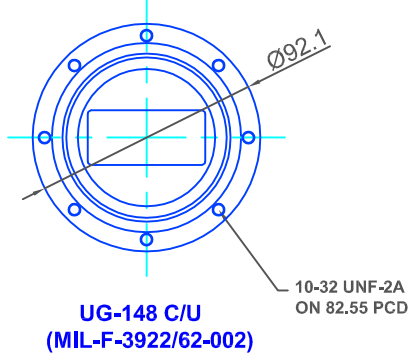
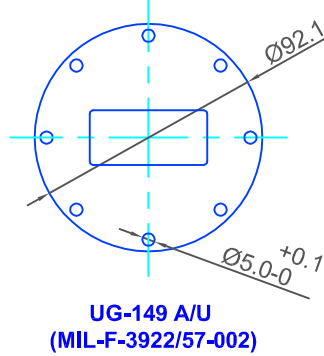


## AMERICAN FLANGES

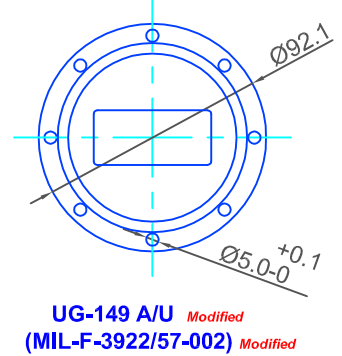
**12A**  
CHOKE + SEALING GROOVE



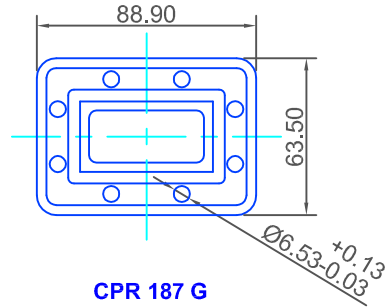
**12B**  
COVER / PLAIN



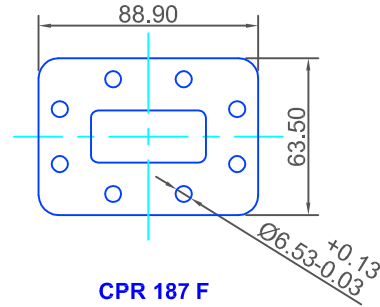
**12Y**  
SEALING GROOVE



**12C**  
SEALING GROOVE

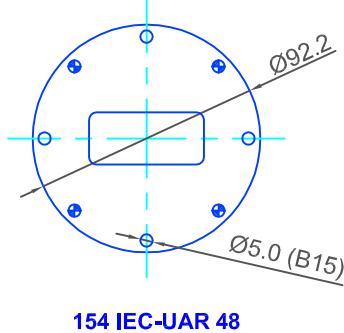


**12D**  
COVER / PLAIN

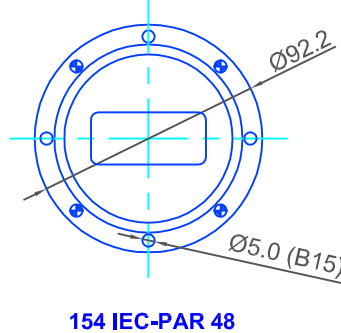


## EUROPEAN FLANGES

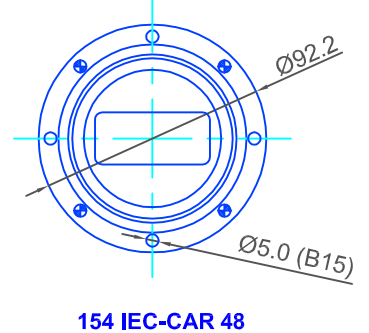
**12Q**  
COVER / PLAIN



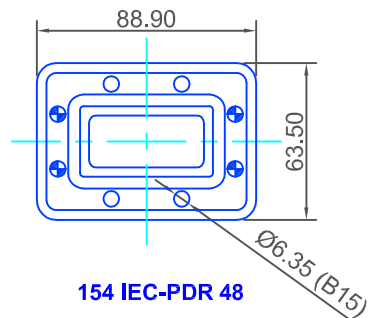
**12R**  
SEALING GROOVE



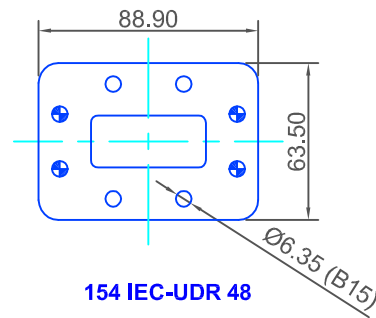
**12W**  
CHOKE + SEALING GROOVE



**12H**  
SEALING GROOVE



**12L**  
COVER / PLAIN



**WG12**  
**WR187**  
**R48**