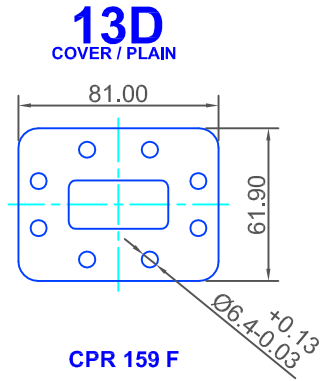
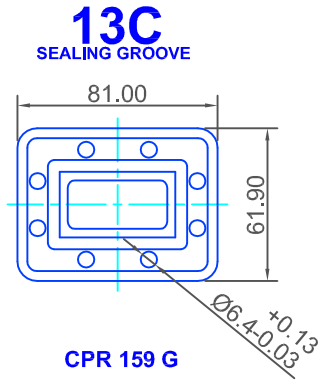
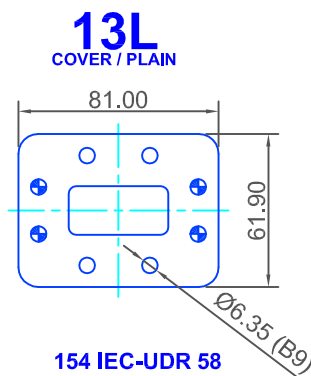
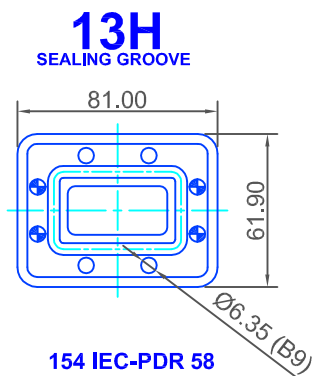
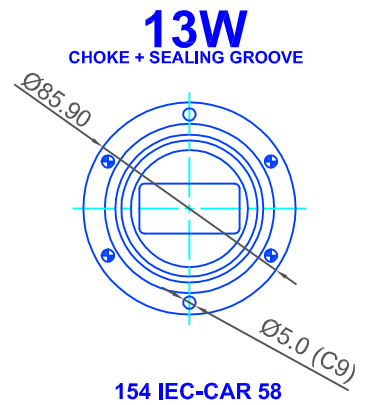
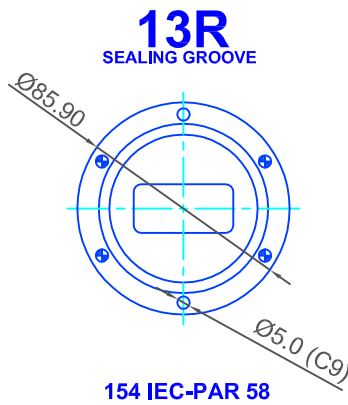
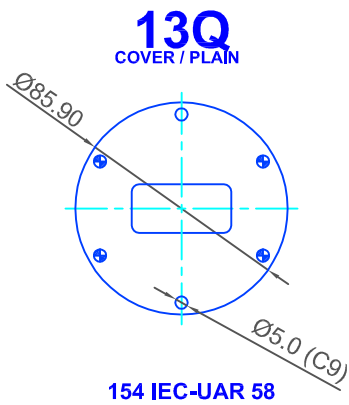


AMERICAN FLANGES



EUROPEAN FLANGES



WG13
WR159
R58