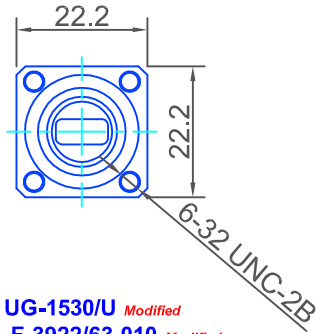


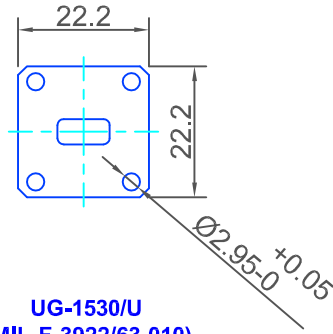
## AMERICAN FLANGES

**21A**  
CHOKE + SEALING GROOVE



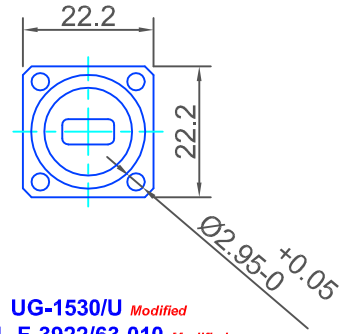
UG-1530/U *Modified*  
MIL-F-3922/63-010 *Modified*

**21B**  
COVER / PLAIN



UG-1530/U  
(MIL-F-3922/63-010)

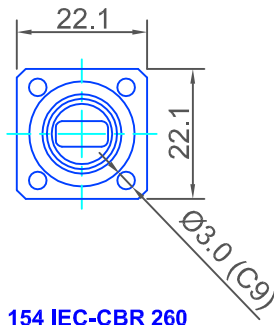
**21Y**  
SEALING GROOVE



UG-1530/U *Modified*  
MIL-F-3922/63-010 *Modified*

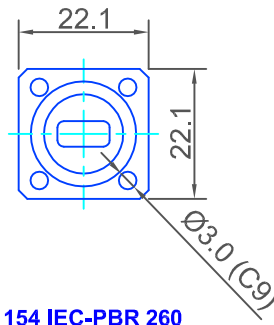
## EUROPEAN FLANGES

**21G**  
CHOKE + SEALING GROOVE



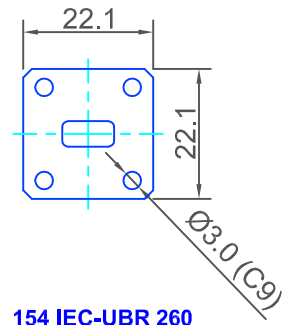
154 IEC-CBR 260

**21K**  
SEALING GROOVE



154 IEC-PBR 260

**21M**  
COVER / PLAIN



154 IEC-UBR 260